

### SCM-VDG 1000 VACUUM DEGASSER



Our SCM-VDG 1000 Vacuum Degasser is a rugged vacuum unit that is designed to safely and efficiently remove 99.9% of entrained air and gases such as methane, H<sub>2</sub>S and CO<sub>2</sub> from drilling fluid.

#### PERFORMANCE

The vacuum degasser consists of a 5 hp (3.73 kW) TEXP motor rated for continuous operating running an Ingersoll-Rand vacuum pump with a push-button starter panel. The self-contained unit provides up to 29" of Hg of vacuum to efficiently handle high-viscosity fluids.

#### PRECISION ENGINEERING

The SCM-VDG 1000 Vacuum Degasser operates on the 'thin strata principle' in which a thin layer of drilling fluid is forced over seven baffle plates arranged to maximize surface area and vacuum exposure. Vacuum is applied to the drilling fluid as it flows across the baffles. These forces combined to 'break out' 99.9% of entrained gasses. Degassed mud is passed on to downstream handling equipment while waste gas is routed from the rig to be flared or captured by environmental control equipment.

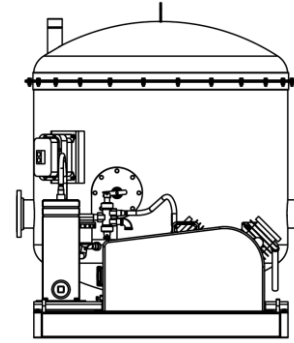
#### FEATURES & BENEFITS

- 5 hp (3.73 kW) TEXP electric motor with starter and fan guard (Available in ATEX/EU)
- Processing capacity of 1,000 gpm (3,785 lpm) with up to 16 ppg (1.92 sg) drilling fluid
- Up to 29" Hg performance for viscous fluids
- 14,075 in<sup>2</sup> ( 9.08 m<sup>2</sup>) of baffle surface area
- Epoxy coated internal surfaces for corrosion resistance
- Fail-safe overflow valve
- Low maintenance float assembly
- Easy access to baffles and float switch
- Compact design for easy installation
- Skid-mounted unit
- Minimal moving parts for reliable operation

# SOLIDS CONTROL

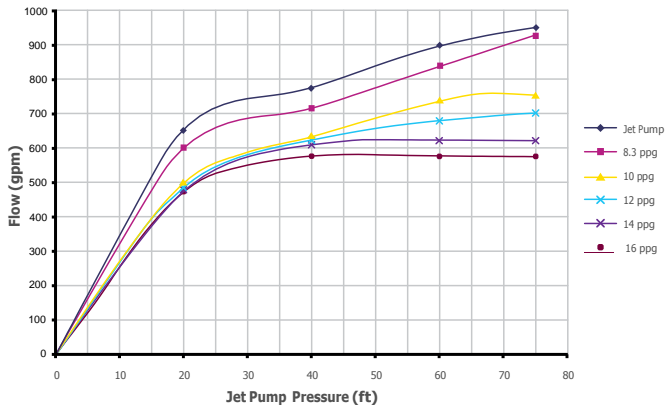
## SPECIFICATIONS

General	
Model	SCM-VDG 1000
Capacity	1,000 gpm (3,785 lpm)
Leaf Area	14,075 in <sup>2</sup> (9.08 m <sup>2</sup> )
Vacuum	up to 29" of Hg
Dimensions	
Length	101" (2,565 mm)
Width	68" (1,727 mm)
Height	79" (2,006 mm)
Weight	4,000 lbs (1,814 kg)

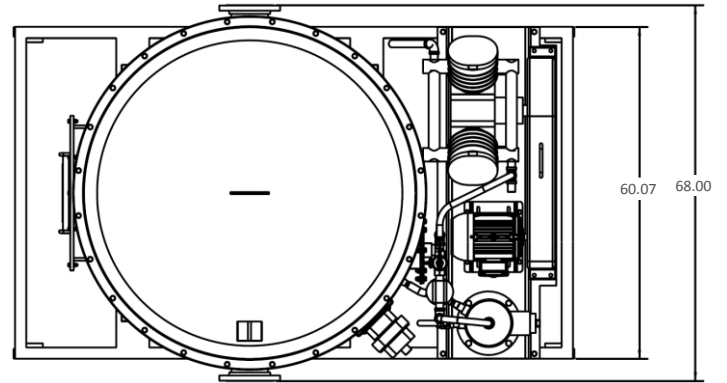
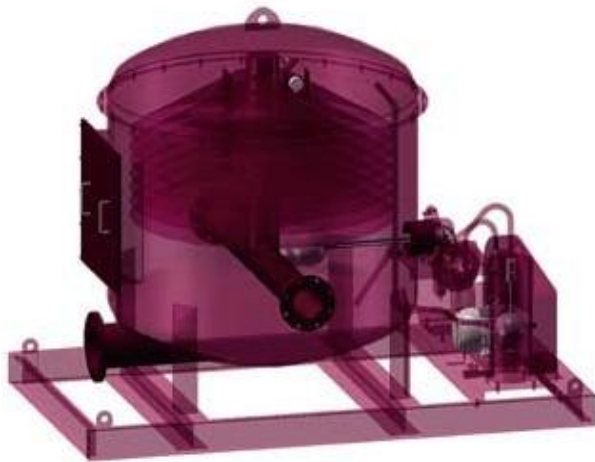


END VIEW

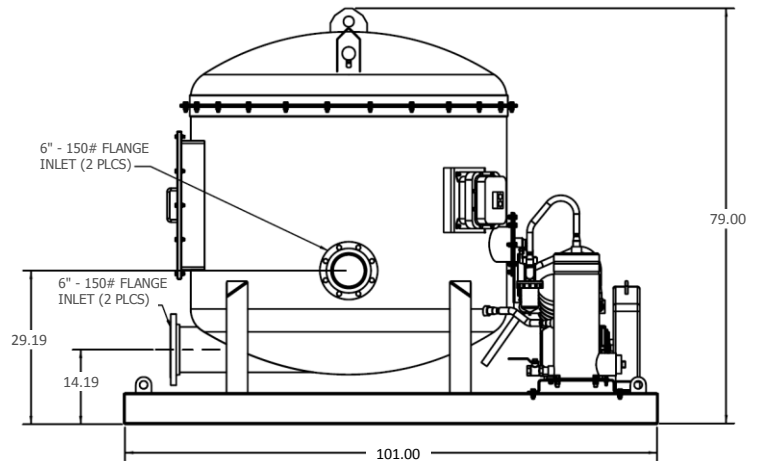
SCM-VDG 1000 PERFORMANCE CURVE



Clean, properly formulated drilling fluids increase the efficiency of drilling operations, reducing down time and extending equipment life.



PLAN VIEW



FRONT VIEW